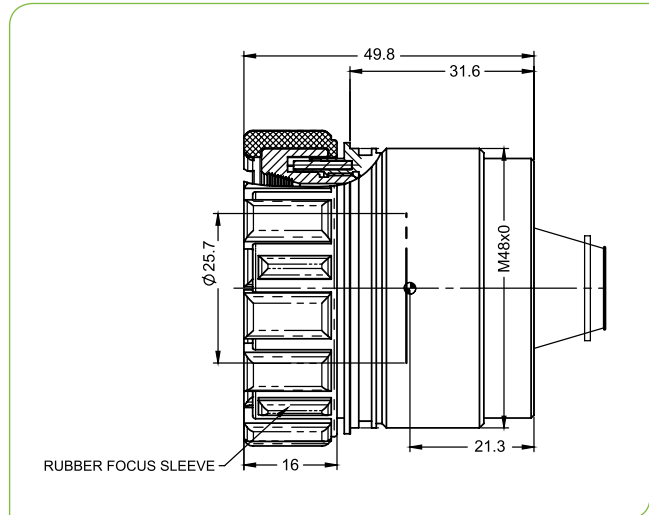


# SupIR 25mm f/1.0, Manual Focus 680319\*

TYPICAL ICD\*



**HD**  
FORMAT



HFOV	320x240	384x288	640x480	1024x768
17μ	12.4°	14.8°	24.4°	
12μ	8.8°	10.5°	17.4°	27.4°

Property	Value				
<b>Optical</b>					
Focal Length	25mm				
F#	1.0				
Average transmission (8-12μm)	90% (HC)				
Back Focal Length	13.46mm in air				
<b>Mechanical</b>					
Focus Mechanism	Manual				
Depth of Field	16m to infinity				
Focus Range	1.0m to infinity				
Weight	134gr				
Max. Dimensions	Ø54mm x 49.8mm				
<b>Environmental</b>					
Operation Temperature	-40°C to +70°C				
Storage Temperature	-50°C to +80°C				
Sealing	IP 67 front element only				
<b>Configurations</b>	<b>Weight (gr)</b>	<b>Dimensions</b>	<b>BWD**</b>	<b>Thread</b>	<b>Coating</b>
680319-001	134	Ø54mm x 49.8mm	12.15	M48x0.75	HD
680319-002					HC

\* Requires export license

\* The ICD drawing provided here is primarily a representation and may not accurately reflect the product's actual dimensions and specifications. For precise integration specifications contact your local sales representative.

\*\* The BWD value is calculated for a unique detector setup with varying sealing windows in terms of thickness and material. For more details, contact your local sales representative.